

Electric Pump

HYDRAULIC PE60 SERIES

Post Tensioning

0,9 l/min

Two-Speed

Compact, light weight pump.
Excellent choice for rugged
applications and low voltage
starting.

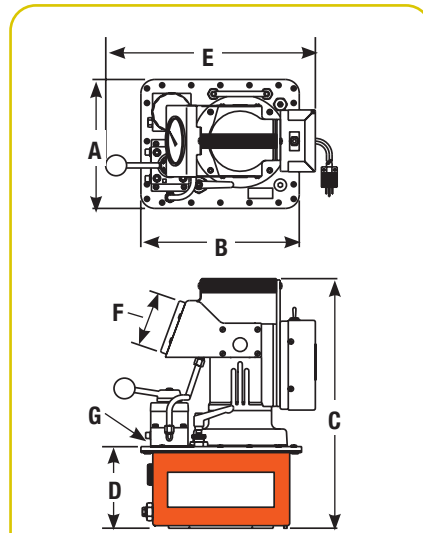
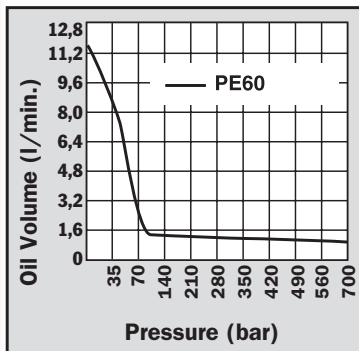
PUMPS

- Long, trouble free life in the most demanding work environments. For operating single- or double-acting cylinders, or stressing jacks.
- Powered by 0,84 KW, 220 volt, 60/50 Hz single phase motor. Starts under load, even at the reduced voltages at construction sites.
- Optional fan-driven external oil cooler includes rollover guard.
- Insulated carrying handle.
- Integral 102 mm fluid-filled pressure gauge with steel bezel complies with ASME B40.1 Grade A. With 0 to 700 bar pressure range in 7 bar increments.
- Sealed 4,34 l (usable) reservoir. Reservoir drain port is standard.
- Standard oil level sight gauge for accurate oil level monitoring.



PE604T
w/cooler

- External spin-on filter removes contaminants from circulating oil to maximize pump, valve and cylinder/ tool life.



Pump No.	Max. Pressure Output		Noise level Idle and 700 bar (dBA)	Amp Draw at 700 bar (A)	Oil Del. (l/min at..)				A (mm)	B (mm)	C (mm)	D (mm)	E (mm)	F (mm)	G (in)	Prod. Wt. w/Oil (kg)
	bar	rpm			0 bar	50 (50)	350 bar	700 bar								
PE604T-220	700	12.000	80/85	13	11,3	7,1	1,2	0,9	263,5	301,6	457,2	152,4	381	101,6	³ / ₈ NPTF	27,2
PE604PT-220	700	12.000	80/85	13	11,3	7,1	1,2	0,9	263,5	301,6	457,2	152,4	381	101,6	³ / ₈ NPTF	27,7

NOTE: Unloading pressure is 70 bar.
Consult factory for PE60 pump models with other control
and valve options.



PE604T

700 bar



The PE60 used for pre-stressing.



Description	Order No.	Valve Type	Valve No.	Valve Function	Control Switch	Motor	Reservoir Usable (l)
Single-Acting, Spring Seat, Stressing Jack or Double-Acting	PE604T	4-Way 3-position	9500	Advance Hold Return	On/Off/Pulse	0,84 kW, 220 VAC 50 Hz, Single Phase	4,34
Single-Acting or Double-Acting Power Seat, Stressing Jacks Only	PE604PT	4-Way 3-position	9628 Model C	Advance Hold Sequenced Return	On/Off/Pulse	0,84 kW, 220 VAC 50 Hz, Single Phase	4,34
OPTIONAL							
252511: Oil cooler kit for PE604T or PE604PT, 115 VAC. Weight 2,7 kg. 252512: Oil cooler kit for PE604T or PE604PT, 220 VAC. Weight 2,7 kg.							

