

Electric Pump

HYDRAULIC PE55 VANGUARD®

0,9 l/min
For cylinders up to
200 tons.

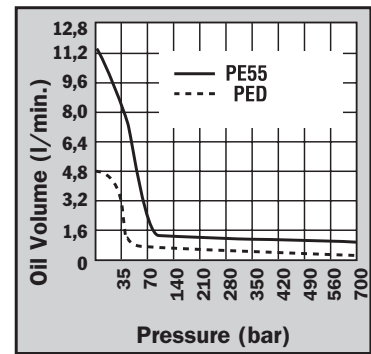
Heavy duty multiple-applications pump. Heavy construction and concrete stressing. Low voltage starting possible.

PUMPS

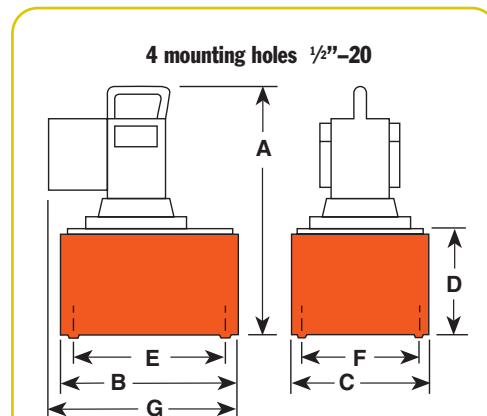
- 0,48Kw, 12,000 rpm, 220 volt, 50 Hz universal motor; draws 25 amps at full load, starts at reduced voltage. CSA rated for intermittent duty.
- 3,1 m remote motor control (except PE552S which has a 7,6 m remote motor and valve control).
- True unloading valve achieves greater pump efficiency, allowing higher flows at maximum pressure.
- Reservoirs available in sizes up to 38 l. See accessories page 119.
- Light weight and portable. Best weight to performance ratio of all Power Team pumps.

- “Assemble to Order” System: There are times when a custom pump is required. Power Team’s “Assemble to Order” system allows you to choose from a wide range of pre-engineered, off-the-shelf components to build a customized pump to fit specific requirements. By selecting standard components you get a “customized” pump without “customized” prices. All pumps come fully assembled, less oil and ready for work. See pages 112-115.

PE55TWP
Torque
Wrench
Applications
See page 172



PE554W
The new pump;
weather-resistant.



Pump No.	Max. Pressure Output bar	rpm	Noise level Idle and at 700 bar (dBA)	Amp Draw at 700 bar (220 V.) (A)	Oil Del. (l/min at.)				Prod. Wt. w/Oil (kg)			
					0 bar	50 bar	350 bar	700 bar				
PE55-Series	700	12,000	90/89*	13	11,3	7,1	1,2	0,9	29,4			
PE55-E220												
					A (mm)	B (mm)	C (mm)	D (mm)	E (mm)	F (mm)	G (mm)	
					464	292	241	178	254	203	356	
					520						391	

*Noise level reading (dBA) measured at a 0,9 m distance, all sides.

** Amp draw at 700 bar, 230 Volts 60 Hz is 15 Amps.



PE554S



LR19814

700 bar



PE554PT



PE552

For use with cyl.-type	Description	Order No.***	Reservoir Valve Type	Valve No.	Valve Function	Control Switch ††	Motor	Usable (l)
Single-acting	Base model 0,84 KW pump with 9,5 l reservoir, remote motor control & 3-way valve.	PE552-50-220	3-Way	9582	Advance Return**	Remote Motor	0,84 KW*, 220 VAC 50Hz, Single Phase	8,4
Single-acting	PE552-50-220, except also has solenoid operated remote valve.	PE552S-50-220	3-Way	9570	Advance Hold Return	Remote Motor & Valve	0,84 KW*, 220 VAC 50Hz, Single Phase	8,4
Single-acting	PE552-50-220, except has "Auto Dump" valve.	PE552A-50-220	Auto/Dump	9610	Advance Return	Remote Motor	0,84 KW*, 220 VAC 50Hz, Single Phase	8,4
Single-acting	0,84 KW pump with 9,5 l reservoir. Valve has "Posi-check" feature.	PE553-50-220	3-Way†	9520	Advance Hold Return	Remote Motor	0,84 KW*, 220 VAC 50Hz, Single Phase	8,4
Single-acting	Same as PE552A-50-220, but meets also CE requirement	PE552-E220	3-Way	9582	Advance Return**	Remote Motor	CE	8,4
Single-acting	Same as PE552S-50-220, but meets also CE requirement	PE552S-E220	3-Way	9570	Advance Return	Remote Motor & Valve	CE	8,4
Single-acting	Same as PE552A-50-220, but meets also CE requirements	PE552A-E220∞	Auto/Dump	9610	Advance Hold Return	Remote Motor	CE	8,4
Single-acting	Same as PE553-50-220 but needs also CE Requirement	PE553-E220	3-Way	9520	Advance Hold Return	Remote Motor	0,84 KW*, 220 VAC 50Hz, Single Phase	8,4
Double-acting	Base model 0,84 KW pump with 9,5 l res. and 4-way valve for double-acting systems.	PE554-50-220	4-Way†	9506	Advance Hold Return	Remote Motor	0,84 KW*, 220 VAC 50Hz, Single Phase	8,4
Double-acting	Same as PE554-50-220 but needs also CE Requirement	PE554-E220	4-Way†	9506	Advance Hold Return	Remote Motor	0,84 KW*, 220 VAC 50Hz, Single Phase	8,4
Double-acting	PE554-50-220, except has 9500 tandem center valve.	PE554T-50-220	4-Way	9500	Advance Hold Return	Remote Motor	0,84 KW*, 220 VAC 50Hz, Single Phase	8,4
Double-acting	For use with single-acting Spring Seat, Stressing Jack or double-acting cylinder.	PE554P-50-220	4-Way	9500	Advance Hold Return	Remote Motor	0,84 KW*, 220 VAC 50Hz, Single Phase	8,4
Double-acting	For use with single- or double-acting Power Seat, Stressing Jacks ONLY.	PE554PT-50-220	4-Way	9628	Advance Hold Sequenced Return	Remote Motor	0,84 KW*, 220 VAC 50Hz, Single Phase	8,4
Double-acting	Pump suitable to run multiple spring return tools	PE554C-50-220	4-Way	9511†††	Advance Hold Return	Remote Motor	0,84 KW*, 220 VAC 50Hz, Single Phase	8,4
Double-acting	Pump equipped with 3/4-way solenoid valve.	PE554S-50-220	3/4-Way	9552	Advance Hold Return	Remote Motor & Valve	0,84 KW*, 220 VAC 50Hz, Single Phase	8,4
Double-acting	Pump suitable to run multiple Spring return cylinder	PE554C-E220	4-Way	9511+++	Advance Hold Return	Remote Motor	CE	8,4
Double-acting	Pump equipped with 3/4-way solenoid valve	PE554S-E220	3/4-Way	9552	Advance Hold Return	Remote Motor & Valve	CE	8,4

* Pumps available with 115 volt, 50 Hz motors. (to order remove the -50-220 suffix from the order code). See "Assemble to Order" pump options on pages 102-105.

** Holds with motor shut off.

*** To order PE55 series pumps with CSA approval, add "-C" to the Order No.

† Valves have "Posi-Check®" feature.

†† Control switch wired with line voltage. All remotes are 3,1m long except for PE552S which is 7,6m long.

††† Valving allows alternate and independent operation of two different spring return tools. Valve holds pressure only while valve is in "A" or "B" port position with pump motor shut off.

∞ Not to be used for lifting.

Also available in E 110 CE



PUMPS