

# Electric Pump

## HYDRAULIC PE18 SERIES

### Up to 55 Ton

295 cm<sup>3</sup>/min.

Vanguard Jr. Series<sup>®</sup>

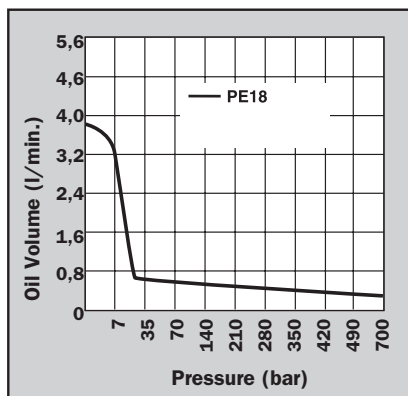
Ideal for use with small hydraulically powered tools.

PUMPS

- Vanguard Jr.<sup>®</sup> pumps provide two-speed high performance in a light-weight, compact package.
- Gauge port provided on pump. Metal reservoir on all models.
- Equipped with a 0,37Kw (½ hp), 220 volt, 50 Hz single phase motor that starts under load, even at reduced voltage.
- Low amperage draw permits use with smaller generators and low amperage circuits.
- All pumps have a 3 m remote control (PE183C has 7,6 m remote control).
- CSA rated for intermittent duty. Noise level of 85-90 dBA.

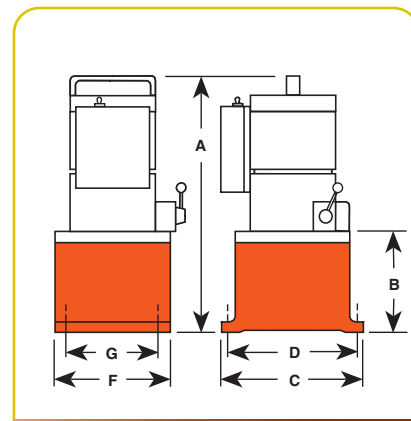


PE182



For operating hydraulic crimping, cutting or other tools:

- **No. PE183C** - For crimping or pressing applications. Has special electrical circuitry to pulse/advance, hold at full pressure, build to a predetermined pressure, release and reset circuit. Features separate emergency return switch.
- **No. PE184C** - Allows you to alternately operate a spring-return cutting and/or crimping tool without disconnecting either tool. Select port connection with manual 4-way valve, start pump with remote control hand switch and extend connected tool. When hand switch is switched to off, pump stops and automatic valve opens, allowing tool to return. In center (neutral) position, manual control valve holds tool in position at time valve is shifted.



700 bar



Pump No.	Max. Pressure Output bar	rpm	dBA at Idle and 700 bar	Amp Draw 220 V at 700 bar	Oil Del. (liters./min. @) †				A (mm)	B (mm)	C (mm)	D (mm)	F (mm)	G (mm)	Prod. Wt. with Oil (kg)
					0 bar	7 bar	350 bar	700 bar							
PE182	700	12.000	85/90**	4,5 Amp.	3,7	3,0	0,4	0,3	406	121	203	181	152	130	13,6
PE183	700	12.000	85/90**	4,5 Amp.	3,7	3,0	0,4	0,3	406	121	203	181	152	130	13,6
PE183A	700	12.000	85/90**	4,5 Amp.	3,7	3,0	0,4	0,3	406	121	203	181	152	130	13,6
PE184	700	12.000	85/90**	4,5 Amp.	3,7	3,0	0,4	0,3	406	121	203	181	152	130	13,6
PE183-2*	700	12.000	85/90**	4,5 Amp.	3,7	3,0	0,4	0,3	470	184	292	254	241	203	19,0
PE184-2*	700	12.000	85/90**	4,5 Amp.	3,7	3,0	0,4	0,3	470	184	292	254	241	203	19,0
PE183C ††	700	12.000	85/90**	4,5 Amp.	3,7	3,0	0,4	0,3	406	121	203	181	152	130	13,6
PE184C ††	700	12.000	85/90**	4,5 Amp.	3,7	3,0	0,4	0,3	406	121	203	181	152	130	13,6

\* 9,5 l reservoir.

\*\* Measured at 0,9 m distance, all sides.

† Typical delivery. Actual flow will vary with field conditions.

†† Special application pumps for cutting, crimping or pressing.



PE183-2



PE183C

For use with cyl. type	Description	Order No.	Valve Type	Valve Function	Control Switch	Motor	Reservoir Usable (l)
Single-acting	Base model pump has 0,37 KW pump with 2-Way valve and 1,9 l reservoir.	<b>PE182-50-220</b>	2-Way	Advance Return†	Remote Motor Control (3,1 m) on/off	0,37 kW, 220 V** 50 Hz, A.C., Single Phase	1,7
Single-acting	PE182-50-220, except has 3-way valve.	<b>PE183-50-220</b>	3-Way	Advance Hold Return	Remote Motor Control (3,1 m) on/off	0,37 kW, 220 V** 50 Hz, A.C., Single Phase	1,7
Single-acting	PE183-50-220, except has 9,5 l reservoir.	<b>PE183-2-50-220</b>	3-Way	Advance Hold Return	Remote Control (3,1 m)	0,37 kW, 220 V** 50 Hz, A.C., Single Phase	8,4††
Single-acting	PE183-50-220, except has "dump valve".	<b>PE183A-50-220</b> <sup>∞</sup>	Auto./Dump Pump	Advance Return	Remote (3,1 m)	0,37 kW, 220 V** 50 Hz, A.C., Single Phase	1,7
Single-acting	Special crimping pump. See details on page 74.	<b>PE183C-50-220</b> <sup>∞</sup>	Special, for crimping only	Advance Hold Return	Remote Motor Control (7,6 m) on/off	0,37 kW, 220 V** 50 Hz, A.C., Single Phase	1,7
Single-acting/ double-acting	Base model pump has 0,37 KW pump for double-acting systems with 1,9 l reservoir.	<b>PE184-50-220</b>	4-Way	Advance Hold Return†	Remote Motor Control (3,1 m) on/off	0,37 kW, 220 V** 50 Hz, A.C., Single Phase	1,7
Single-acting/ double-acting	PE184, except with 9,5 l reservoir.	<b>PE184-2-50-220</b>	4-Way	Advance Hold Return†	Remote Motor Control (3,1 m) on/off	0,37 kW, 220 V** 50 Hz, A.C., Single Phase	8,4††
Single-acting/ double-acting	Special crimping pump. See details on page 74.	<b>PE184C-50-220</b> <sup>*</sup>	4-Way	Advance Return	Remote Control (3,1 m) on/off	0,37 kW, 220 V** 50 Hz, A.C., Single Phase	1,7

\* Also for use with special single-acting cylinder applications.  
 \*\* Available with 115 Volt, 50 Hz motor (to order, remove suffix "50-220" behind pump order number). Specify voltage when ordering.

† Holds when motor is shut off and valve is in "advance" position.  
 †† Pumps supplied with 7,6 l oil (usable oil is 5,7 l), will hold 9,5 l when filled to within 13 mm below reservoir cover plate.  
 ∞ Not to be used for lifting.

